

SBIG® STARCHASER™ OFF-AXIS GUIDING CAMERAS

THE WORLD'S FIRST THREE-IN-ONE GUIDING CAMERAS

Diffraction Limited's SBIG StarChaser SC-2 and SC-3 are the world's first all-in-one independent off-axis guiding cameras with adaptive optics support. The StarChaser operates independently of the main camera. Its clever design combines a pick-off mirror, guider camera, guide port and adaptive optics control.

The StarChaser SC-2 works with the SBIG STF and Aluma series cameras, the FW8-8300 and FW8S-ALUMA standard filter wheels respectively, and the optional AO-8A adaptive optics unit. The larger SC-3 works with the SBIG STX/STXL and AC-series cameras and AO-X tip-tilt adaptive optics units.

Stop wasting time with ruined exposures caused by flexure between the main camera and guider. Off-axis guiding eliminates this problem by using the same optical path for the main camera and the guider. Unlike most off-axis guider assemblies that are awkward to use, consume too much back focus, and require you to precisely position a camera inside an eyepiece holder, the slim, integrated design of the SBIG StarChaser makes this a breeze.



FEATURES AND BENEFITS

The SBIG StarChaser features include:

Monochrome astronomical CMOS sensor	1280 x 1024 CMOS sensor with 4.8 μm pixels
Electromechanical shutter	Convenient dark frames, ideal for robotic automation
Adjustable pick-off mirror	Easy focus and simple to lock in position with minimal vignetting
USB 2.0 interface	Supports longer cable lengths than USB 3.0
ST-4 guide port	Controls telescope mount for round stars, precise tracking
Auxiliary control port	Control optional tip/tilt adaptive optics unit
DL Imaging drivers and multi-platform SDK	Support for Window® 7 through 10, MacOS® 10.14, and Canonical® Ubuntu Linux 18.04 LTS. ASCOM driver included for Windows.
Cyanogen Imaging® MaxIm LT Imaging software	Get up and running immediately with the included image acquisition and processing software. Upgradable to MaxIm DL Pro for robotic automation, telescope and observatory control.



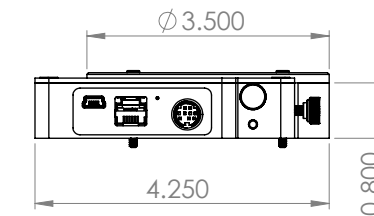
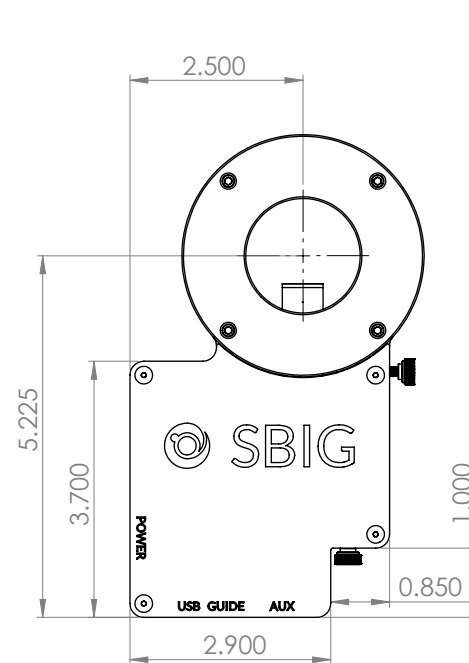
diffractionlimited.com

TECHNICAL SPECIFICATIONS

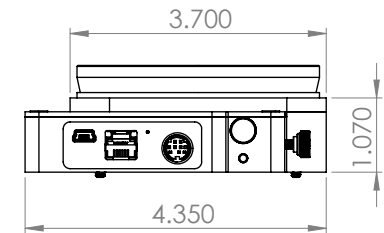
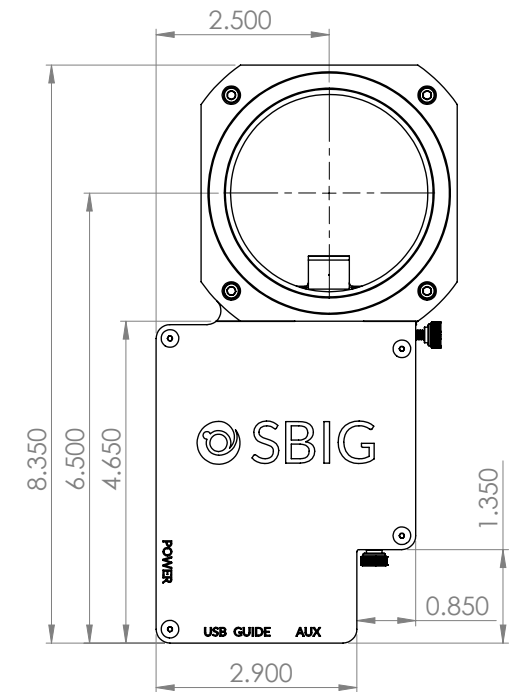
SBIG model name	StarChaser SC-2	StarChaser SC-3
Sensor	1.3 Mpixel	1.3 Mpixel
Illumination	Front	Front
Peak quantum efficiency	60%	60%
Camera light path	2-inch	3-inch
Shutter	Electro-magnetic dark shutter	Electro-magnetic dark shutter
Active pixels	1280 x 1024	1280 x 1024
Pixel size (µm)	4.80	4.80
Sensor dimensions (mm)	6.2 x 5.0	6.2 x 5.0
Sensor diagonal (mm)	7.9	7.9
Full well capacity (e-)	10 000	10 000
Read noise (e-)	<8.0	<8.0
ADC resolution	10-bit	10-bit

OPTIONAL ACCESSORIES

Adaptive optics unit: AO-8A, AO-8T with adapter cable, AO-X



StarChaser SC-2
SHOWN WITH ADAPTER PLATE



StarChaser SC-3
SHOWN WITH ADAPTER PLATE

CONTACT US

DIFFRACTION LIMITED

59 Grenfell Cr., Unit B, Ottawa, ON K2G 0G3 Canada

+1-613-225-2732

ORDER THE SBIG SCIENTIFIC CAMERA OF YOUR DREAMS THIS YEAR FROM OUR WORLDWIDE NETWORK OF DEALERS

diffractionlimited.com