

SBIG AFW Filter Wheels

SBIG AFW Filter Wheels are our latest ultra-thin filter wheels for large format cameras. With a thickness of only 0.55" (14 mm), they add minimal back focus to your system.

AFW series wheels are compatible with all SBIG cameras using our "STX" style adapter plates. This includes our popular ALUMA AC Advanced CMOS models as well as our legacy STX and STXL models.



Compatible with All Large-Format SBIG Cameras

The USB-FW Adapter provides ASCOM support, so the wheel could be used with third-party cameras. Mechanical adapter to third-party camera not supplied.

Model	Filter Slot Qty	Filter Size & Shape	Filter Thickness
AFW-10-50SQ	10	50 mm Square	Up to 3mm
AFW-12-50R	12	50 mm Round	Up to 3mm
AFW-16-36R	16	36mm Round	Up to 3mm
AFW-10-50ST	10	50 mm Square	4mm or 5mm
AFW-12-50RT	12	50 mm Round	4mm or 5mm
AFW-16-50RT	16	50 mm Round	4mm or 5mm

The AFW-10-50SQ is recommended for use with our SBIG ALUMA AC4040 cameras, and legacy STX-16803, and STX-16801 cameras.

The AFW-12-50R is recommended for use with our SBIG ALUMA AC2020 cameras, and legacy STXL series cameras.

The AFW-16-36R is recommended for use with SBIG ALUMA AC2020 cameras. It can also be used with AFW to Small Format Camera Adapter (ACC14) for SBIG Aluma CCD, STC-7, STC-428, and STF series cameras.

Improved Filter Compatibility

In order to accommodate the most popular filter sizes, convenient spacers are included:

- 3 mm filters – do not use spacer
- 2 mm filters – align notches in spacer with mounting screws
- 1 mm filters – flip over spacer so notches face the filter
- If you require 4mm or 5mm thick filters, please order the "T" tall variant of the filter wheel, eg AFW-10-50ST

Easy Installation

The AFW series filter wheels are designed to be quickly installed onto the camera without removing the carousel or individual filters. Removing a single access cover provides access to the filter slots and camera mounting screws.

Two mounting screws are "captive" under the carousel, and can be accessed by turning the carousel by hand to align access holes with the screw heads. The two remaining screws are freely accessible. This makes installation and removal quick and easy.

Once the wheel is attached to the camera, a single cable is connected to the camera's AUX port. This single cable provides all necessary power and control functions.

ORDER THE SBIG SCIENTIFIC CAMERA OF YOUR DREAMS THIS YEAR FROM OUR WORLDWIDE NETWORK OF DEALERS

Dual Wheel Support

For those users requiring more filters, AFW series wheels include the ability to control two filter wheels. Currently this requires MaxIm LT or MaxIm DL Pro software.

A special adapter is used to stack two AFW series wheels. A matching three-port low profile cable is included to connect the two wheels to the camera's control port.

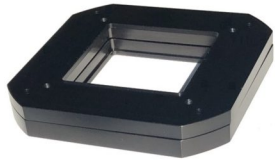
Our MaxIm LT and MaxIm DL Pro software allows you to configure "virtual" filter slots, that map to specific slots on wheel 1 and wheel 2. Usually one slot is left blank in each wheel, allowing you to select filters from one wheel or the other. It is also possible to arrange for two filters to be used per slot, depending on your requirements.

With one blank slot in each wheel, a pair of AFW-10-50SQ wheels allow you to use 18 filters. Similarly a pair of AFW-12-50R wheels will allow you to use 22 filters.

StarChaser Autoguider and AO-X Compatibility

AFW series wheels are compatible with StarChaser SC-3, providing self-guiding in front of the filters. They also work with our popular AO-X Adaptive Optics unit, providing the tightest possible star images.

Optional Accessories

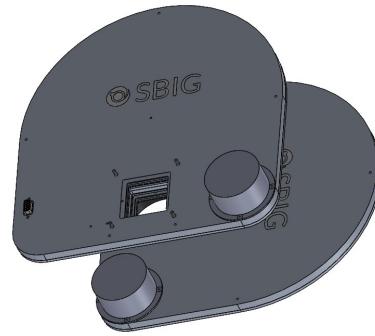


Dual AFW Filter Wheel Adapter

This kit allows you to stack two AFW series filter wheels. It includes a two-piece adapter and a custom cable with three connectors, plus necessary screws.

USB-FW Adapter

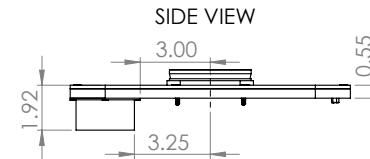
This kit allows modern SBIG filter wheels such as the AFW series to work with third-party camera hardware. It includes a power supply, control box, interface cable, and a Windows-compatible ASCOM driver. It does not include mechanical adapters to fit the third-party camera. This allows SBIG filter wheels including the AFW, FW5-STX, FW7-STX, FW8-8300, and certain other recent models to be controlled without an SBIG camera connected to them. It is not compatible with ST-series filter wheels such as the CFW-8A, CFW-9, CFW-10 or other early models.



SBIG AFW Filter Wheels

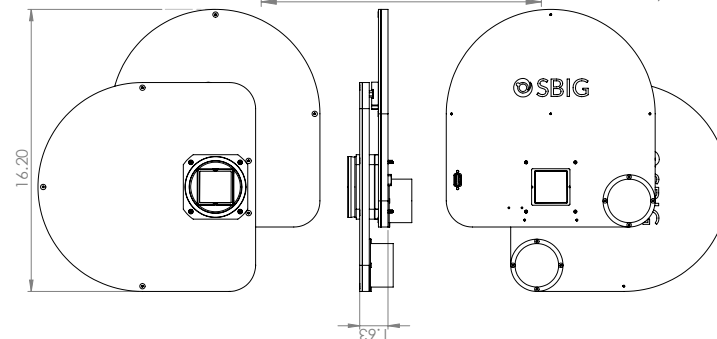
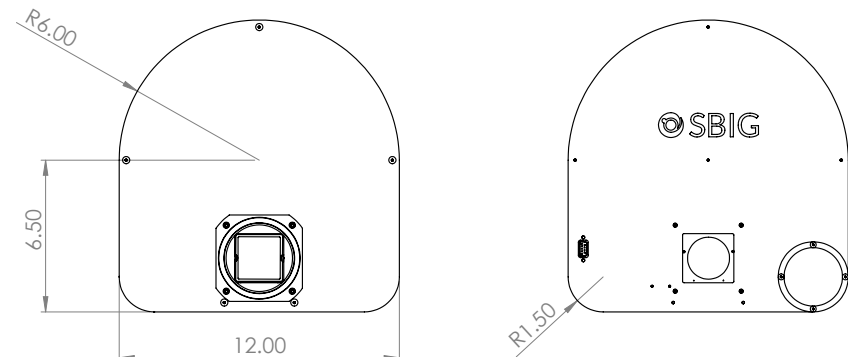
TECHNICAL SPECIFICATIONS

Camera Interface	SBIG I2C Auxiliary Connection
Weight	4 lbs
Filter Size	Unmounted 50mm square, 50mm round, 36mm round filters
Filter Thickness	Standard model: 1-3mm holders; Tall model: 4-5mm holders
Mounting	Standard SBIG bolt pattern for 3-inch camera hardware



FRONT VIEW
50 MM SQUARE

REAR VIEW
50 MM ROUND



DIFFRACTION LIMITED

59 Grenfell Cr., Unit B
Ottawa, ON K2G 0G3
Canada
+1-613-225-2732
diffractionlimited.com