

SBIG® STC-428

This series of cameras are the CMOS APS equivalent to the STF-8300 CCD camera. The STC-428 with 4.5um pixels in a 3208x2200 pixel array and features both native 12-bit and 16-bit StackPro operation.

It is available in three variations:

- STC-428-M Monochrome camera with electronic shutter
- STC-428-SH Monochrome camera with internal mechanical dark shutter
- STC-428-P Monochrome camera plus an integrated 8-position filter wheel

The STC-428-P has a full size filter wheel with provision for up to 8 third-party standard 36mm unmounted glass filters, or you can use the 5 included filter inserts for 1.25" threaded filters. One filter position can be used as a mechanical dark shutter.



The SBIG STC-428 scientific CMOS Active Pixel Sensor cameras represent a major improvement over CCD technology. Compared with previous CCD models such as the STF-8300M, the STC-428-P features higher sensitivity (78% QE versus 56%), significantly lower read noise (2.5 e- versus 9.3 e-), and 20X faster readout.

While a single exposure on the IMX428 sensor can equal CCD dynamic range, the combination of fast readout and very low read noise allows for stacking many shorter to produce greater dynamic range than previously possible. The built-in StackPro™ capability can automatically divide your exposure into up to 16 shorter sub-exposures, and stack them inside the camera prior to download. This dramatically increases dynamic range without imposing greater disk storage and processing requirements on the host computer – with read noise equal to or lower than comparable CCD cameras.

Our SmartCooling™ active regulation maintains the sensor temperature to within 0.1°C, and minimizes fan speed based on heat sink temperature for longer life and quieter operation.

ACHIEVE YOUR VISION

The SBIG STC-428 features include:

High sensitivity, low noise 7 megapixel Sony IMX428 imaging sensor

SmartCooling™ active temperature regulation to 0.1°C for high calibration stability

Electronic global shutter for fast exposure times (0.001 to 3600 s) to image bright or faint targets. Optional Mechanical Shutter for dark frames. Optional Filter Wheel dark slot

Optional eight position FW8-STC filter wheel for optional 36mm unmounted or 1.25" threaded filters, with one slot configured as a dark frame shutter, no need to cover the telescope for dark frames

High-speed USB 3.0 interface or use USB 2.0 for longer cable length

Compatible with SBIG StarChaser SC-2 off-axis guiding camera for accurate tracking

Downloads images sub-second (depending on computer speed) much faster than a CCD

Supports AO-8A adaptive optics unit via StarChaser SC-2 for crisp, tight stars

StackPro™ automatic in-camera sub-exposure stacking saves disk space, yields longer exposures

MaxIm LT control software to get you running on the first night

Regulated two-stage cooling with delta T of approximately -30C

Software Development Kit and sample code available for easy application development

SBIG MODEL NAME
STC-428

A/D Converter	12-bit with High Gain / Low Gain modes
Binning Modes	1×1, 2×2
Computer Interface	USB 3.0 (USB 2.0 compatible)
Cooling Delta	Approximately 30°C
Dark Current	0.1 e-/p/s at -5°C
Exposure	0.001 – 3600 seconds
Filter Size	36mm / 1.25"
Filter Wheel Option	Optional FW8-STC included with STC-428-P
Imaging / Pixel Array	3208 x 2200 pixels
Imaging Sensor	Sony IMX428 CMOS sensor
OS Compatibility	Windows 10 or 11
Peak QE	78% typical
Pixel Size	4.5 x 4.5 μm
Power	12VDC, 4A max
Read Noise (Typical)	1.9 e- High Gain, 2.5 e- Med Gain, 5 e- Low Gain
Sensor Size	14.4 mm X 9.9 mm
Shutter	Global Shutter (electronic), Opaque Slot on Filter Wheel for Dark Frames, Optional Mechanical Dark Shutter
Temperature Regulation	Yes

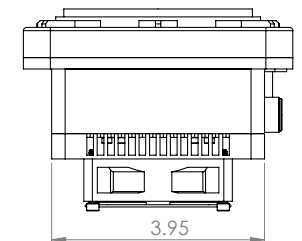
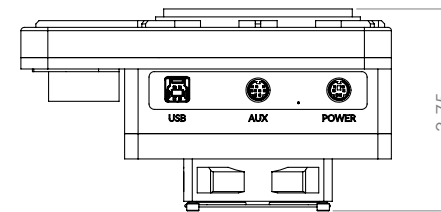
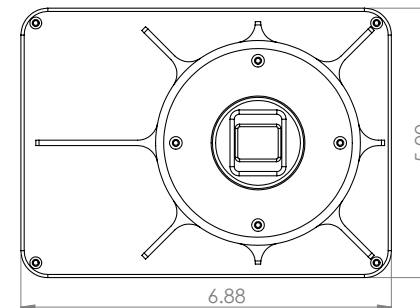
SENSOR SPECIFICATIONS

17.6 mm diagonal

Typical QE:

- Red (635-700 nm) ~ 63%
- Green (520-560 nm) ~ 78%
- Blue (450-490 nm) ~ 75%

80 dB dynamic range



DIFFRACTION LIMITED

 59 Grenfell Cr., Unit B,
 Ottawa, ON K2G 0G3
 Canada
 +1-613-225-2732

diffractionlimited.com

ORDER THE SBIG SCIENTIFIC CAMERA OF YOUR DREAMS THIS YEAR FROM OUR WORLDWIDE NETWORK OF DEALERS

Specifications subject to change without notice – December 2022

SBIG®, Aluma®, and Cyanogen Imaging® are registered trademarks of Diffraction Limited. StarChaser, ST-4, STXL, STX, MaxIm DL, MaxIm LT are trademarks of Diffraction Limited. All other trademarks, service marks, and trade names are the property of their respective owners.